

38173-PS/38176-PS/38177-PS

DUAL (+ & -) OUTPUT BOOST CONVERTERS

NON ISOLATED - GNDs are Common

Boost (Step-Up) Converter

+Output must have some Load

Operating Frequency: ~400KHZ

Operating Temperature: -40°C~+125°C

Storage Temperature: -65°C~+150°C

Connections: Solder Holes on 0.1" Pitch

L: 25mm (1") **W:** 16.3mm (5/8") **H:** 6.6mm (5/16") **WT:** .005

+/-5V OUTPUT

38173-PS

Input: 3~4.5V,

Output: ±5V

Output Current: +5V@ 1A max/-5V @ 200mA max

Input Current: 2A

+/-12V OUTPUT

38176-PS

Input: 3.3~11V,

Output: ±12V

Output Current: +12V@ 700mA max/-12V @ 150mA max

Input Current: 1.8A

+/-15V OUTPUT

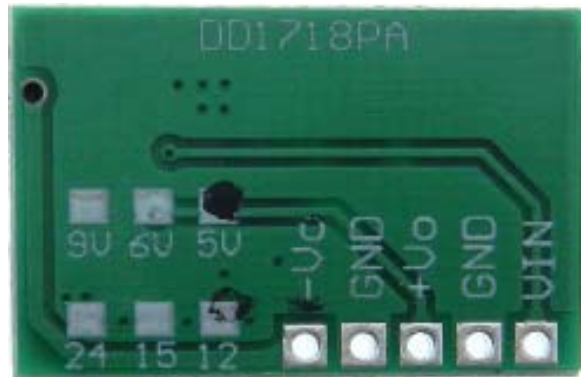
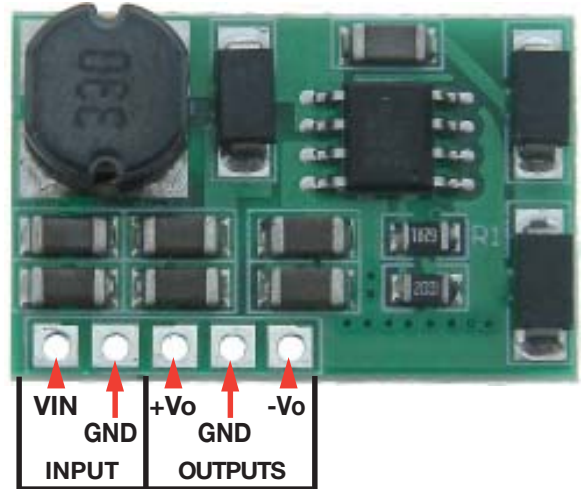
38177-PS

Input: 3.3~13V,

Output: ±15V

Output Current: +15V@ 600mA max/-15V @ 120mA max

Input Current: 1.8A



All Information including Drawings, Schematics etc, Referenced in this Document is supplied by MPJA inc. as a service to our customers. Accuracy or usefulness is not guaranteed nor is it an Endorsement of any particular part, supplier or manufacturer. Use of information and suitability for any application is at users own discretion and user assumes all risk.

Information Subject to Change Without Notice

All rights are retained by the respective Owners/Author(s)



MARLIN P. JONES & ASSOC., INC.

P.O. Box 530400 Lake Park, FL 33403

800-652-6733 FAX 561-844-8764

WWW.MPJA.COM